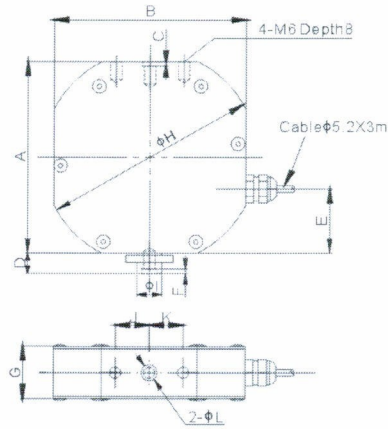
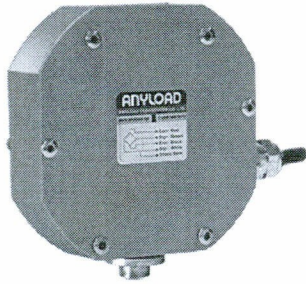


ANYLOAD

101AH S-Beam, Alloy Steel Equivalent to OIML R60 C3



S-BEAMS

DIMENSIONS

| RATED CAPACITY | A | B | C | D | E | F | G | H | I | J | K | L |
|----------------|----|----|---|---|------|---|----|----|----|----|----|---|
| kg/mm | | | | | | | | | | | | |
| 1...30 | 85 | 85 | 2 | 9 | 28.5 | 2 | 23 | 95 | 11 | 15 | 15 | 7 |

SPECIFICATIONS:

| | | | |
|-------------------|--|-----------------------|--|
| Full Scale Output | 2.0 mV/V | Non-linearity * | ≤ ± 0.017% |
| Bridge Resistance | 350 Ω, nominal | Insulation Resistance | > 2 [50 VDC] G Ω |
| Material/Finish | Alloy Steel | Hysteresis Error * | ≤ ± 0.017% |
| Temperature | Compensated range 14°F to 104°F/-10°C to 40°C | Seal Type | Environmentally-sealed, IP65 |
| Safe Overload | 150% Full scale | Cable Color Code | Red..... + Excitation Black..... - Excitation Green..... + Signal White..... - Signal Bare..... Shield |
| Rated Excitation | 10V DC (15V maximum) | Warranty | 2-year limited warranty |

AVAILABLE OPTIONS

- Service temperature range up to 120°C [248°F]
- Service lightning proof
- 6-wire circuit

* The data for deviation of linearity, repeatability, hysteresis error and temperature effect on sensitivity meets the requirements according to OIML R60