

B220 Series

Weigh & Count Scales



- ◆ **Counting Function**– forward and reverse. Simple count and accumulate operation.
- ◆ **Display**– Backlit for clear visibility.

- ◆ **Power**– Battery and AC operation.
- ◆ **Load Cell Technology**– Patented high resolution technology at an affordable price.

VALUE IN
WEIGHING



Features

Versatile sampling routines— Enter the count mode by pre-determined sample sizes, keypad entry, or piece weight entry. Reverse sampling determines counts without emptying your container.

Limit alarm— Audible alarm lets you know when a pre-determined count has been reached.

Keypad— Membrane keypad with audible and tactile feedback.

Part look-up— Store piece weights and tare weights for up to 32 parts for quick recall. In addition, 7 "Hotshot" keys allow you to quickly recall piece weights and tare weights of your most commonly counted parts.

Accumulator— Single accumulator lets you track total count and number of transactions.

Battery operation— 6 x 1.5 V "D" size batteries (not included) provide up to 800 hrs. of continuous use. Sleep mode will increase battery life.

Specifications

<u>Capacity</u>	<u>Displayed Weight Resolution</u>
-----------------	------------------------------------

15 lb	0.0005 lb
30 lb	0.001 lb
60 lb	0.002 lb

Internal Resolution—1:1.5 million counts

Displayed Count— 9,999,999

Housing— Light gray ABS with stainless steel shroud

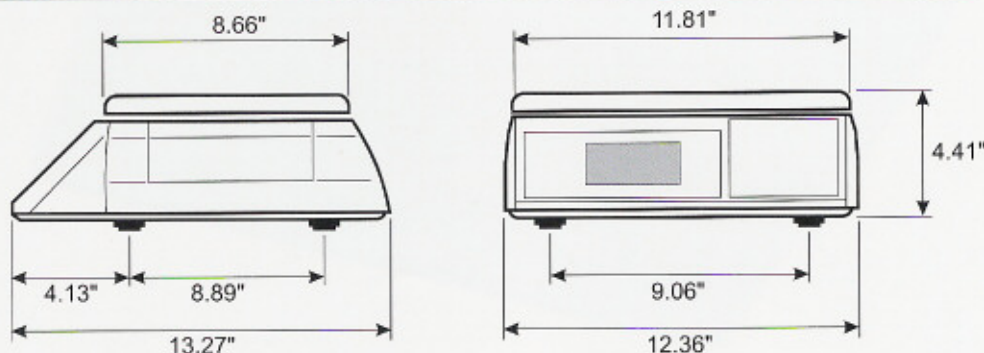
Base— Black high-impact polystyrene

Display— 7 segment, 7 digit LCD display with back light

AC adapter— 15 VDC @ 3000 mA

Certifications— Tested to comply with FCC standards.

Dimensions



ONE DIGITALSCALES.com

Your First Choice
for Industrial, Home and Specialty Scales

800-620-7811

www.onedigitalscales.com