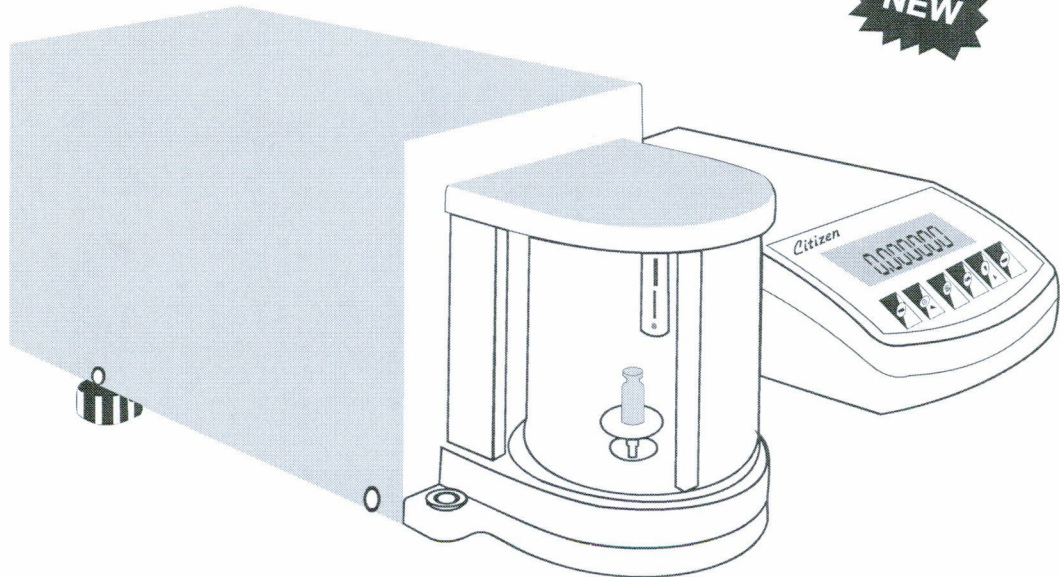


MICRO BALANCE



STANDARD FEATURES

- * Easy to read Backlite GRAPHICAL LCD display with A.E.P. (Advanced Eye Protection)
- * Standard RS 232 C interface / Ps2 output.
- * Built-in Internal Calibration with function like E1 standard weight.
 - ☞ Initial Calibration.
 - ☞ Auto calibration according to change in ambient temperature.
 - ☞ User selected time calibration.
- * Various application other than just simple Weighing like
 - ☞ % ☞ Filling ☞ Check weighing ☞ Statistic
- * Conforms to GLP/GMP & ISO 9001 Standard.
- * Improved Repeatability for better results.

MODEL	CM 11	CM 21
CAPACITY	11 gm	21 gm
READABILITY	1 µg / 0.001 mg	1 µg / 0.001 mg
REPEATABILITY (+/-)	± 3 µg	± 5 µg
LINEARITY (+/-)	± 5 µg	± 10 µg
PAN SIZE (mm/inch)	30 Ø / 1.2 Ø	
WEIGHING CHAMBER DIMENSIONS	90 x 90 mm	
STABILIZATION TIME	20 sec.	
CALIBRATION WEIGHT	10 g - class E1	
WORKING TEMPERATURE	18° ± 30° C	
POWER SUPPLY	230V 50Hz / 11V AC 380 mA	



Call Us Toll-Free
800-620-7811
www.onedigitalscales.com