

ption in the Industrial

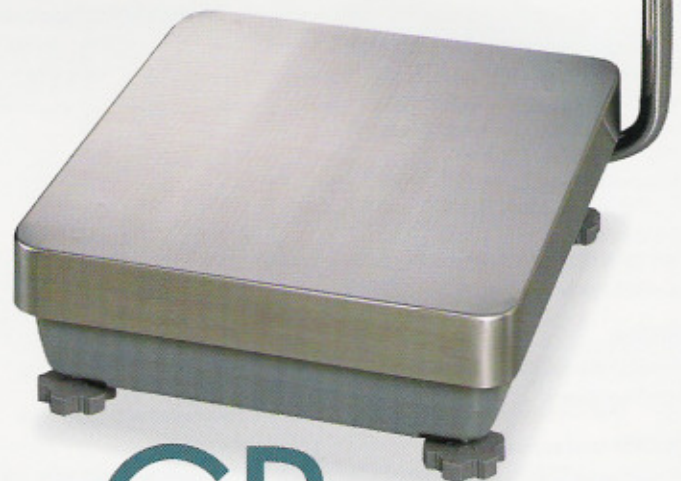


GP-S

with detached display unit

GP-30KS — with 31kg/0.1g capacity/resolution

GP-100KS — with 101kg/1g capacity/resolution



GP Series

with Swing Arm display type

GP-12K	(12kg/0.1g)
GP-20K	(21kg/0.1g)
GP-22K	(6.1kg/0.1g* • 21kg/1g)
GP-30K	(31kg/0.1g)
GP-40K	(41kg/0.5g)
GP-60K	(61kg/1g)
GP-100K	(101kg/1g)
GP-102K	(61kg/1g* • 101kg/10g)

* SmartRange

The GP-22K and GP-102K have the precision and standard ranges. The precision range has a higher resolution and the standard one is normal resolution. Pressing the RE-ZERO key allows weighing in the precision range, regardless to the tare value. (**SmartRange** function). **SmartRange** function enables you to weigh or add samples in the precision range without removing container and/or those objects that have been placed on the pan.



Super Hybrid Sensor



Vacuum Fluorescent



Full Digital Calibration



Complies with GLP/GMP format



RS-232C Serial Interface



IP-65 resistant to water & dust



HI/OK/LO Comparator



Automatic Counting Accuracy Improvement



Windows Communication Tools Software



Display Auto Power OFF



Internal Calibration

Balance Field

Swing Arm Display

Compliant IP-65
(resistant to dust, water and moisture)



Clear & Large VFD Display

888
VFD Display

Easy to see-even in the dark / Wide angle view prevents mistakes



ANIMAL



Animal Weighing

Hold Function for animal weighing



Automatic Adjustable Environment Setting

Adapts to the most suitable Environment Response Setting automatically with one-touch key operation. The response annunciator displays "FAST", "MID" and "SLOW."

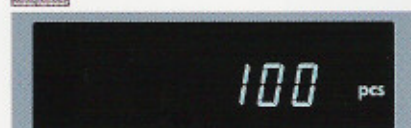
COMPARATOR



Comparator Function

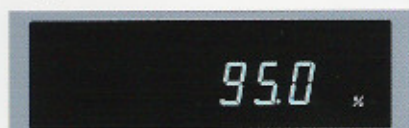
The results of the comparison are indicated by HI, OK, LO on the display.

ACAI



ACAI Counting Function

Automatic Counting Accuracy Improvement continuously recalculates and updates the average piece weight, ensuring optimum count accuracy even with very small parts



Percentage Function

Shows the percentage to the standard sample weight. Ideal for comparative weighing and moisture loss applications.



Capacity Indicator

Shows the % to the total weight capacity on the display

IP65 IP-65 Splash Proof Keyboard, Display and Base Units

Balances protected from dust and spills up to IP65 level

GLP GLP/GMP/ISO Compliance

Allows GLP, GMP and ISO balance management by outputting the Balance ID number and data used to calibrate the balance. The data can be output to A&D's AD-8121 printer or a PC, indicating date, time, Balance ID number, serial number and calibration data.

```
MODEL      A & D
S/N        6P-30K
           01234567
ID          ABCDEF0
DATE       2001/05/15
TIME       12:34:56
CALIBRATED<INT.>
SIGNATURE
```



Standard RS-232C

Bi-directional communication with a PC or connect directly to a printer

Commands

A PC can control the balance by sending commands to the balance.

- Command to query weighing data
- Command to control the balance
- Command to control the memory function
- Command to control the comparator function

ID Number

The balance ID number can be set. It is used to identify the balance when GLP is used. The ID number is memorized and maintained once it is fixed, even if the AC adaptor is removed.

Optional Underhook

Ideal for density determination and weighing magnetic substances

- GP-20 Underhook for GP-12K/20K/22K/30K/40K/30KS
- GP-21 Underhook for GP-60K/100K/102K/100KS

Density Determination of a Solid Object

The GP has a density determination mode, which is available after changing the internal parameter settings. Once the object's weight in the air, in liquid and the liquid density are input, the solid density will be calculated. It is useful to determine concrete's density.

Enlargement Indication of HI, OK, LO Symbols

With MODE key pressed during usual HI, OK or LO indication, the display is refreshed from $3.0000\text{kg}^{\text{HI}}$ to HI kg . The letters (HI, for example), can be enlarged.

Accumulation of Weighing Results

GP can accumulate the weighing results and display and output them.

Data Memory

Format the data memory function for:

- 200 sets of weighing data
- 100 sets of weighing data with Time & Date
- 20 sets of Tare values
- 50 sets of GLP data-Time & Date, Calibration Data, ID Number and Serial number
- 50 sets of Unit Weight for Counting mode
- 20 sets of comparator Upper & Lower Limits

Time & Date

Standard Time & Date Function complies with GLP and Interval Weighing in the Data Memory function.

Auto Self Checking

Automatically checks itself when setting the Automatic Adjustment Environment.

Interval Time Setting

Weighing Intervals of 2, 5, 10, 30 seconds and 1, 2, 5, 10 minutes in the Data Memory Function.

Auto Re-Zero

Re-Zeros automatically after data output

Large Stainless Steel Weighing Pan

384mm x 344mm for GP-12K/20K/22K/30K/30KS/40K/60K
386mm x 346mm for GP-100K/100KS/102K

Multiple Weighing Units & Programmable Unit

Uses programmable or standard units of measure (g, kg, lb, OZ, ct, dwt, OZt, mom, TL, MS, tola and DS)

Air Bubble Leveling

Easily check the balance for level installation

SmartRange

For more accurate weighing, SmartRange function is provided on the GP22K (6.1kg x 0.1g/21kg x 1g) and GP-102K (61kg x 1g/101kg x 10g).

Built-In Internal Calibration Mass

The GP has a built-in internal calibration mass. Internal calibration mass is equivalent to a 50kg calibration mass in terms of top loading capacity on the weighing pan.



Display Auto Power OFF

Display turns off after 10 minutes of inactivity, which can be disabled when not needed.

Auto Power ON

Plug it in and it turns ON without pressing the ON/OFF key.

Specifications

	GP-12K	GP-20K	GP-22K	GP-30K GP-30KS	GP-40K	GP-60K	GP-100K GP-100KS	GP-102K
Models								
Weighing Capacity	12kg	21kg	21kg	31kg	41kg	61kg	101kg	101kg
Resolution	0.1g		1g/0.1g(Smart Range)		0.1g	0.5g	1g	10g/1g(Smart Range)
Repeatability (Standard Deviation)	0.1g		0.5g/0.1g		0.1g	0.5g	0.7g	1g
Decimal ounce (oz)	423.290 x 0.005	740.755 x 0.005	740.75x0.05(0.005)	1093.495 x 0.005	1446.24 x 0.02	2151.70 x 0.05	3562.65 x 0.05	3562.5 x 0.5(0.05)
Troy ounce (ozt)	385.810 x 0.005	675.170 x 0.005	675.15x0.05(0.005)	996.673 x 0.005	1318.18 x 0.02	1961.20 x 0.05	3247.25 x 0.05	3247.0 x 0.5(0.05)
Pennyweight (dwt)	7716.2 x 0.1	13503.3 x 0.1	13503.0 x 1(0.1)	19933.5 x 0.1	26363.5 x 0.5	39224 x 1	64945 x 1	—
Carat (ct)	60000.0 x 0.5	105000.0 x 0.5	105000 x 5(0.5)	155000.0 x 0.5	205000 x 5	305000 x 5	505000 x 5	—
Momme (mom)	3200.00 x 0.05	5600.00 x 0.05	5600.00x0.5(0.05)	8266.65 x 0.05	10933.4 x 0.2	16266.5 x 0.5	26933.5 x 0.5	26935 x 5(0.5)
Pound (lb)	26.4555 x 0.0005	46.2970 x 0.0005	46.295x0.005(0.0005)	68.3435 x 0.0005	90.390 x 0.002	134.480 x 0.005	222.665 x 0.005	222.65x0.05(0.005)
Linearity	±0.2g		±1g/±0.2g		±0.2g		±1g	±2g
Stabilization Time	1.5 seconds (TYP at FAST mode)							
Accuracy just calibrated by internal mass	±1.0g			±15g			±5g	±10g
Sensitivity Drift (10°C-30°C/50°F-86°F)	±3ppm/°C		±5ppm/°C		±3ppm/°C		±5ppm/°C	±10ppm/°C
Operating Temperature	5°C to 40°C (41°F to 104°F), 85% RH or less (No condensation)							
Display Type	Vacuum Fluorescent Display (VFD)							
Display Refresh Rates	5 times/second or 10 times/second							
Weighing Units and Modes	g, kg, lb, L OZ, OZ, ct, dwt, OZt, mom, TL, MS, tola, DS and % and counting PCS [Weighing units g, ct, and dwt are not available on GP-102K]							
Counting Mode	Minimum unit mass	0.1g	1g	0.1g	0.5g	1g	10g	10g
	Number of samples	10, 25, 50 or 100 pieces						
Percent Mode	Min. 100% reference mass	10g	100g	10g	50g	100g	1000g	1000g
	Min. 100% display	0.01%, 0.1%, 1% (automatically switches depending on the reference mass stored)						
Standard Interface	RS-232C Serial Interface with Windows Communication Tools (WinCT)							
Water & Dustproof Level	Complies with IP-65 (International Protect), covers the entire apparatus							
Weighing Pan	Stainless steel weighing pan (Wash down type)				384mm x 344mm (15.09 x 13.52 Inches)		386mm x 346mm (15.17 x 13.60 inches)	
Calibration	Motor-driven internal calibration mass with SHS							
External Dimensions	372(W)x615(D)x130(H)mm (14.62 x 24.17 x 5.11 inches) (Note: GP-30KS is 344(W)x442(D)x130(H)mm)						373(W)x615(D)x130(H)mm(14.65x24.17x5.11inches) (Note: GP-100KS is 346(W)x443(D)x130(H)mm)	
Power Consumption	Approximately 14VA (supplied by AC adaptor)							
Net Weight	Approximately 17kg (37.5 lb)						Approximately 18kg (39.8 lb)	

Options

- GP-04: Comparator Output (Relay with Buzzer) / RS-232C / Current Loop
- GP-06: Analog/Current Loop Output
- GP-07: 5-meter connection cable(factory option) (For GP-30KS & GP-100KS)
- GP-20: Underhook (For GP-12K/20K/22K/30K/30KS and GP-40K)
- GP-21: Underhook (For GP-60K/100K/100KS and GP-102K)
- GP-22: AD-8121 Printer Support

Accessories

- AX-KO1710-200: RS-232C cable (25P-9P)
- AX-SW-128: Foot Switch

Peripherals (sold separately)

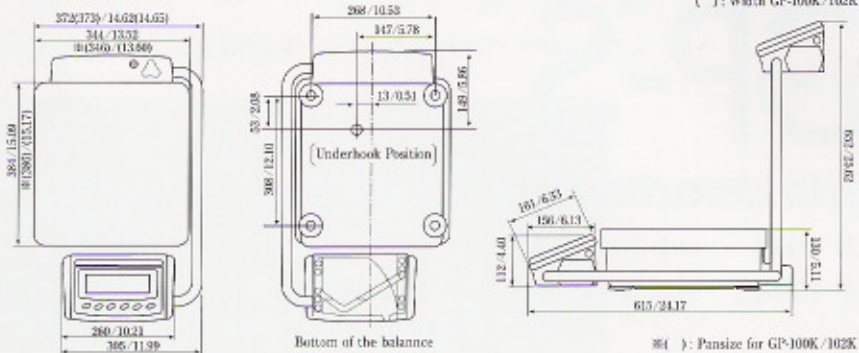
- AD-1682: Rechargeable Battery Unit
- AD-8920: Remote Display
- AD-8121A: Dot Matrix Compact Printer
- AD-8118A/B: Universal Printer



AD-1682: Rechargeable Battery Unit

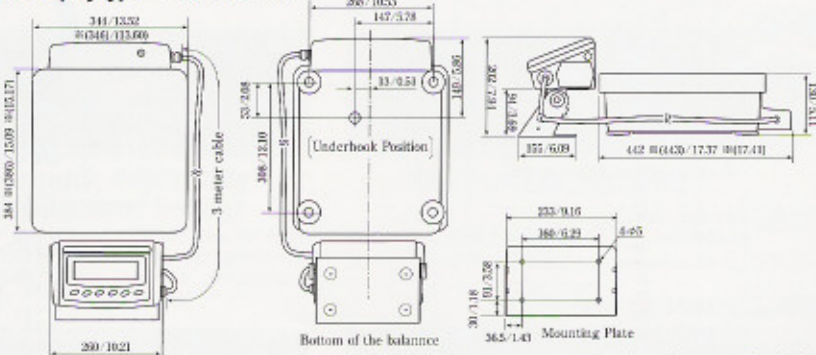
Specifications subject to change for improvement without notice.

Dimensions (mm/inch)



Swing Arm-Display type

Detached Display type GP-30KS/GP-100KS



Dimensions with () are for the GP-100KS

ONE DIGITAL SCALES.com
 Your First Choice
 for Industrial, Home and Specialty Scales
800-620-7811
 www.onedigitalscales.com