

NCI Model 7880 Bench Scale



The Model 7880 Bench Scale provides the most accurate and reliable weight measurement for static or inline shipping. The weighing solution for any application requiring a durable bench scale.



NCI Model 7880 shown with optional ball-top platter.

FEATURES & BENEFITS

- > **Display Controls ZERO:** Includes Auto Zero Tracking or Manual push button to re-establish zero reference.
- TEST:** Runs a diagnostic test to ensure scale is fully functional, and allows a real-time view of internal settings.
- > **Construction** Stainless steel weight platter, painted mild steel base enclosure.
- > **Field Calibration** Alternate span points can simplify field calibration by using less than full capacity weights. Can be setup as either decimal pound or kilogram.
- > **RS-232 cable** Included with each scale, DB 9-pin, null modem, female connector allows you to connect to a PC.
- > **Emulation Protocols** Standard NCI default with field configurable settings of 8213, 3835, SMA, and Auto Weight Send. This allows you to select compatible scale communication settings or scale drivers during field installation when interfacing with shipping software programs or host devices.
- > **Power Supply** Recessed power supply with standard wall plug.
- > **Durabridge® Technology** Reduces overall scale deflection when a full load is applied.
- > **Internal Display** 1/2" H, six-digit LCD display.

SPECIFICATIONS

Capacity (lb)	Capacity (kg)
150 x 0.05 lb	75 x 0.02 kg*
250 x 0.05 lb	100 x 0.02 kg*
300 x 0.1 lb	150 x 0.05 kg*

Note: Default configuration as weight classifier.

**Metric weighing can be configured in the field during calibration.*

Dimensions: 18" x 18" x 4.5"

(457mm x 457mm x 114mm).

Power: 120 VAC (+10% -15%), 60 Hz, standard 3-wire ground.

Operating Environment:

Temperature: 42° F to 104° F (5° C to 40° C)

Relative Humidity: 10 to 95% (non-condensing).

Agency Approvals:

United States: NTEP #95-121

Canada: MOI #AM-5099 Rev 1

For use as a Class III device from +5°C through 40° C

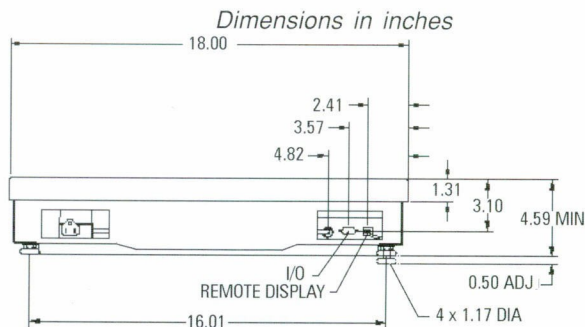
Input/Output: RS-232, bi-directional, configurable 1200 – 19.2K baud. Transmits weight and scale status whenever ASCII "W" <CR> is sent by a remote device.

Shipping Weight: 45 lbs/21 kg, standard configuration
60 lbs /28 kg with ball top.

OPTIONS

- > **Ball-Top Weight Platter** Simplifies transport of all parcels. Ideal for conveyor lines. One piece lift-off design equipped with 25 balls.
- > **Display Post** 12" post for remote display.
- > **International Power Supply** 230 VAC, 50 Hz power supply. End of cable terminated with a universal conductor.
- > **Remote Display** Six-digit LCD housed in a molded enclosure with a 7 ft. cable.

DIMENSIONS



ONE DIGITAL SCALES.com

Call Us Toll-Free

800-620-7811

www.onedigitalscales.com