

# RW-S/L Series

## Wheel Weighing Scale

- Designed for mobile weight inspection
- Heavy duty cast aluminum construction
- 1 inch LCD illuminated backlight display
- Used for cars, trucks, and custom applications
- Battery operated with AC adapter/charger
- Single and double width available
- Scale are linkable for multi-axle weighing (up to 6 scales)
- NTEP Approved-Class (III)



RW-L



RW-S



ISO 9001 certified

**CAS**  
S · C · A · L · E

# RW-S/L Series Wheel Weighing Scale

## FEATURES

- Mult-Axle Weighing (Up to 6 Scales)
- 1 inch LCD Display with Backlight
- kg/lb Switchable
- Displays Individual or Total Weight
- Advanced Digital Filtering to Compensate for Vibration

## SPECIFICATIONS

Model	RW-05S	RW-10S	RW-05L	RW-10L
Capacity	10,000 lb/ 5,000 kg	20,000 lb/ 10,000 kg	10,000 lb/ 5,000 kg	20,000 lb/ 10,000 kg
Min. Division	5 lb/2 kg	10 lb/5 kg	5 lb/2 kg	10 lb/5 kg
Min. Division (NTEP)	50 lb/20 kg			
Display	5 Digit LCD Display (Height 1 inch/25 mm)			
Accuracy	1%			
Safe Overload	150%			
Operating Time	20 hours (charging time 8 hours)			
Operating Temperature	-10°C ~ +40°C			
Power Source	1.5V AA Size 12EA DC7.2V 2.6Ah Battery (AC 110V/220V Charger)			
Weigh Pad Dimensions	12.2(W) × 13.4(D) inch	24.6(W) × 13.4(D) inch	24.6(W) × 13.4(D) inch	24.6(W) × 13.4(D) inch
Overall Size (W×D×H)	18.0 × 21.1 × 2.4 inch	28.3 × 22.3 × 2.4 inch	28.3 × 22.3 × 2.4 inch	28.3 × 22.3 × 2.4 inch
Product Weight	22 kg/48.5 lb	36 kg/79.4 lb	36 kg/79.4 lb	36 kg/79.4 lb

## APPLICATIONS

- Safeguards against Overloaded Vehicles
- Mobile Weight Inspections
- Law Enforcement

## OPTIONS

- Totalizer Cable
- Printer (Model DEP-50)

Print Sample  
(40% of Original Size)

```

2005.05.15 13:44:00
WEIGHT1 : 50 lb
WEIGHT2 : 0 lb
-----
TOTAL : 50 lb

2005.05.15 13:44:00
WEIGHT1 : 100 lb
WEIGHT2 : 0 lb
-----
TOTAL : 100 lb

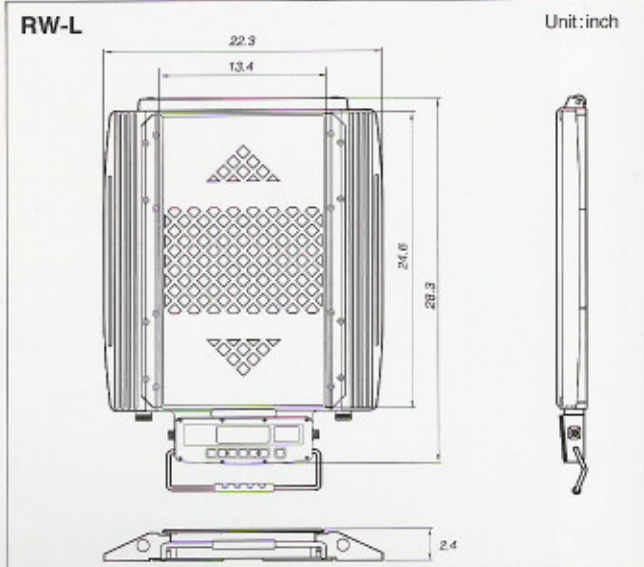
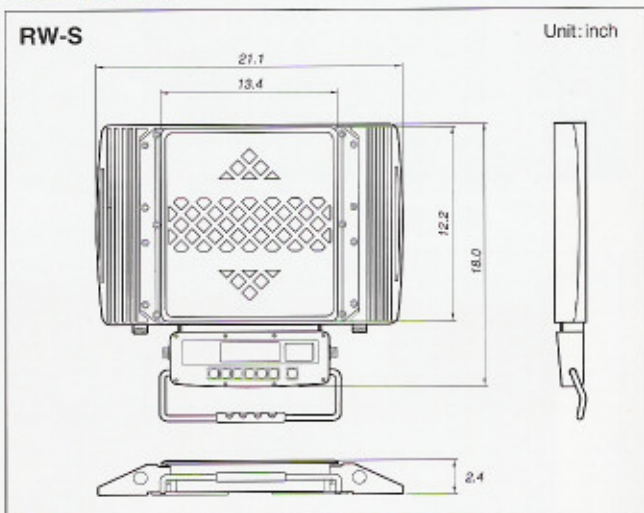
2005.05.15 13:44:00
WEIGHT1 : 120 lb
WEIGHT2 : 0 lb
-----
TOTAL : 120 lb

2005.05.15 13:44:00
----- Total Print -----
WEIGHING NO. : 3
                270 lb
    
```

## DISPLAY & KEY BOARDS



## DIMENSIONS



**ONE** DIGITALSCALES.com

Call Us Toll-Free

**800-620-7811**

www.onedigitalscales.com