



# SCALEHAWK

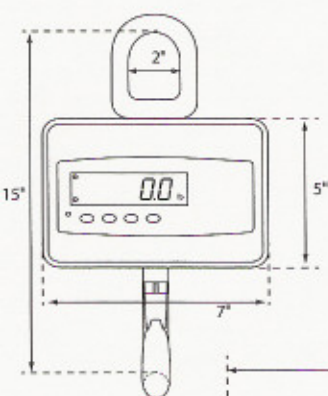
## Model 447: Integrated Crane Scale With Display



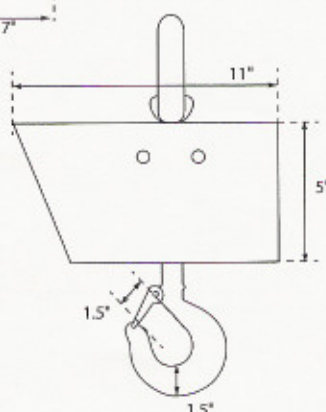
### Features:

- Overload Capacity 500%
- NEMA 4 IP 65
- Full Tare Subtraction
- Auto Span Calibration
- Pounds And Kilograms Conversion
- 0.05% Accuracy Of Applied Load
- Automatic Overload Indication At 115%
- Solid Steel Construction
- Peak Hold, Hold, Accumulation
- Counting Functions
- RS 232 and 4-20 mA Available
- Battery and Charger Included

## Capacities Available: up to 3,000 LB



Model	Grad	Capacity
447-1K	0.2 lb	1,000 lb
447-2K	0.5 lb	2,000 lb
447-3K	0.5 lb	3,000 lb



SCALEHAWK crane scales are the only American made units featuring a solid steel case for ultimate durability.

**ONE** DIGITALSCALES.com

Your First Choice  
for Industrial, Home and Specialty Scales

**800-620-7811**

www.onedigitalscales.com