

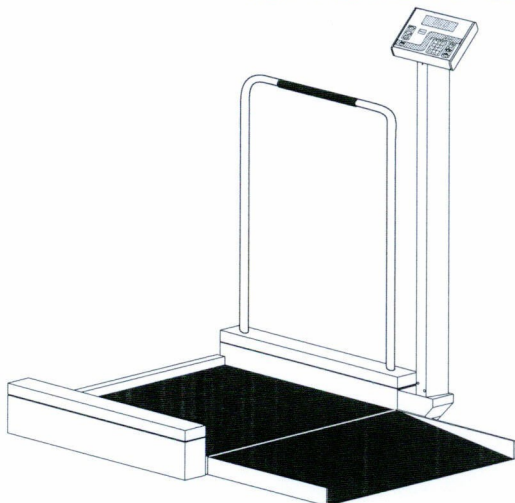


# DETECTO®

A Division of Cardinal Scale Manufacturing Co.

**PRODUCT SPECIFICATIONS**

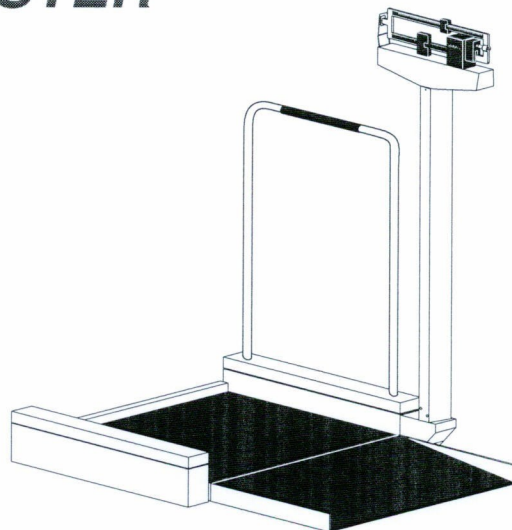
## Detecto's Floor Huggers Makes Weighing Immobile Patients **EASIER** and **FASTER**



**Dual Capacity  
Digital Model 6495**

The 6495 offers speed and increased accuracy that only electronic digital weighing can provide - weight in pounds or kilograms at the press of a button. The weight display is mounted on tilt mount which permits the indicator to be angled for easy viewing. A keypad for entry of known empty chair weights is also provided, this giving the exact weight of the patient accurately and instantly in large .7" digits.

<b>Capacity:</b>	400 lb x .2 lb/180 kg x .1 kg
<b>Platform:</b>	30"L x 26"W x 2"H with nonskid mat removable ramp
<b>Digital Display:</b>	.7" high, LCD readout, lb/kg selector switch
<b>Keypad Tare:</b>	Permits entry of known wheelchair weight.
<b>Power:</b>	6 "C" size batteries
<b>Color:</b>	White
<b>Shipping Weight:</b>	177 lb



**Mechanical  
Pound Model 495/  
Kilogram Model 4951**

These mechanical beam scales provide the economic answer to weighing of patients in wheelchairs. Quality is enhanced by a precision die-cast weigh beam which is easily read from either side. The weight beam is located at a height above the platform where patient or attendant can perform the weighing operation.

<b>Capacity - 495:</b>	400 lb x 4 oz
<b>4951:</b>	180 kg x 100 g
<b>Platform:</b>	30"L x 26"W x 2"H with nonskid mat removable ramp
<b>Color:</b>	White
<b>Shipping Weight:</b>	194 lb

Die-cast, dual sided beam, graduated in 1/4 lb (.1 kg) increments for easy readability.



... improve, modify, or enhance features and specifications without prior notice.

**ONE DIGITAL SCALES** .com

**Your First Choice**

for Industrial, Home and Specialty Scales

**800-620-7811**

www.onedigitalscales.com

F-C124A