

# SPECIFICATIONS

Model number	Capacity	Graduation	Platter Size	Windshield
VB-302-300	300g	0.01g	∅ 100mm	Yes
VB-302-1500	1500g	0.05g	140x165mm	No
VB-302-3000	3000g	0.1g	140x165mm	No
Net/gross weight	510 / 620g			
Package	Standard carton: 29×22×14(cm <sup>3</sup> )			
	12 Units in one box: 60×45×45(cm <sup>3</sup> )			
Operating Temp.	0-40°C (32-104°F)			
Power source	6×AA Size Batteries or AC/DC			
	Adapter 9V/100mA (optional)			

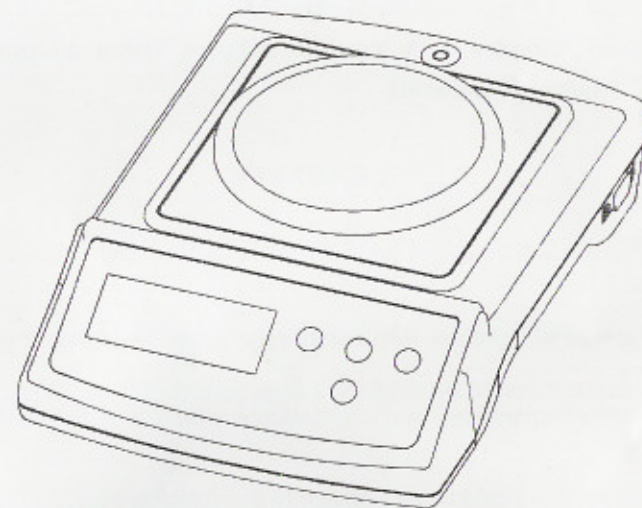
## FEATURES

- Auto shut off (selectable)
- Auto zero tracking
- Low batter indication
- Large LCD (6digits 15 mm high)
- Large square/round weighing pan
- Stability indication
- Auto calibration
- Auto backlight (selectable)
- g/oz/lb/dwt/ozt/tl.T/ct/pcs (VB-302)
- with counting function

## PRECISION BALANCE

MODEL : VB-302

## INSTRUCTION MANUAL



**ONE** DIGITALSCALES .com

Your First Choice

for Industrial, Home and Specialty Scales

**800-620-7811**

[www.onedigitalscales.com](http://www.onedigitalscales.com)

# SAFETY PRECAUTIONS

All safety messages are identified by the following the words "WARNING" and "CAUTION". These words mean the following:

△WARNING	Important information to alert you to a situation that might cause serious injury and damage to your property if instructions are not followed.
△CAUTION	Important information that tells how to prevent damage to equipment.

When using the scale/balance, the following safety precautions should always be followed.

## △ WARNING

Use only the AC adaptor with the scale/balance. Other adaptor may cause damage. (AC adaptor is optional)

## △ CAUTION

Avoid installing the scale/balance in direct sunlight, this may cause discoloration or malfunctions.

Do not mix the type of batteries. Replace all other batteries at the same time.

If the scale/balance is not to be used for a long period of time, remove all batteries from the battery compartment to avoid leakage which may cause damage to the instrument.

Avoid overloading that could cause damage to the scale/balance.

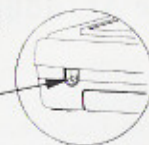
Do not drop water in the scale/balance that is not water-resistant. It causes damage, if inside of the scale/balance is wet.

Matter charged static electricity could influence the weighing. Discharge the static electricity. As example, the method is to use the electrification prevention spray, to spray it to both side of weighing platform.

# PARTS DESCRIPTION

## ▶ RIGHT SIDE

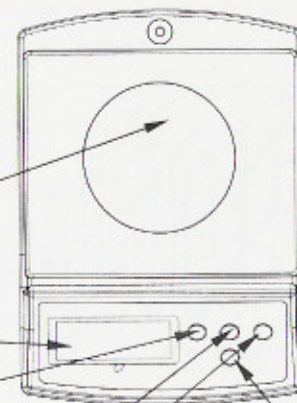
AC adaptor Socket



## ▶ TOP

### Weighing platform

The arch face of platform is front. Correct the direction of the pan.



### Display

#### ON/OFF key

Turns the scale power on/off.

#### UNIT key

Changes weighing units, g, oz, lb, dwt, ozt, t, etc, or pcs(counting mode).

#### ZERO key (for TARE)

sets display to zero or Subtracts weight of a container.

PCS key  
counting mode

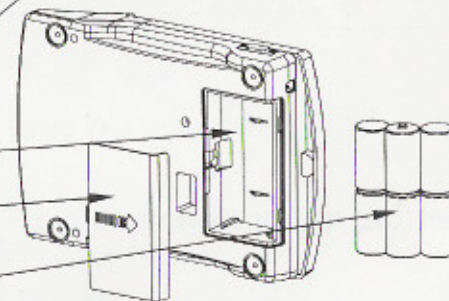
## ▶ BOTTOM

### Battery compartment

### Battery compartment cover

### Batteries

Use 6 AA batteries



## ▶ DISPLAY

### STABLE indicator

Indicates when the reading is stable.

### Auto backlight function indicator

### Auto shut off function indicator

### ZERO indicator

Indicates when the reading is "0"

Weighing unit



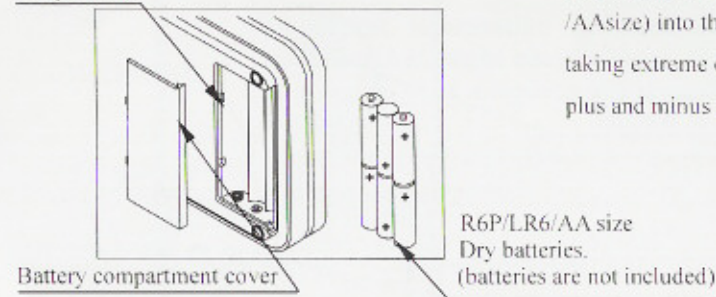
Low battery indicator

# PREPARATION

## 1. Installing batteries/Connecting the AC adaptor

### Batteries

Battery compartment



Remove the battery compartment cover and insert six batteries(R6P/LR6 /AAsize) into the battery compartment, taking extreme care that the polarities plus and minus is observed.

### AC adaptor (optional)

AC adaptor socket



Plug the AC adaptor to the AC adaptor socket on the side. The AC input requirement could be 110,120,220,230 or 240Volts (50/60Hz) depending on the area where used, so please verify that the adaptor is correct

## 2. Setting up the scale/balance

### △ CAUTION

Avoid installing the scale/balance in direct sunlight, that may cause discoloration or malfunctions. Place your scale/balance on a firm weighing table so that the scale/balance is level. (The scale/balance will not perform accurately when it is not level.)

**Place the scale/balance on the firm surface that is flat and level for an accurate weighing.**

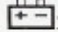
# WEIGHING

## Before weighing

Whenever possible, please allow the balance to warm up for 10 minutes after turning to power on, so that the balance will function properly and accurately.

### Error messages

EEEE: Overload

: Low battery

### Calibration may be required before weighing.

Read "CALIBRATION" first and if necessary, calibrate your scale/balance for accurate weighing.

## Weighing procedures

### 1. Press [ON/OFF] to turn on the scale/balance.

When power is turned on, all display segments appear on LCD for a few seconds and finally "0" will appear on the display.

### 2. Select the weighing unit with [UNIT].

Press [UNIT] to select a weighing unit, eg. "g", "oz", "lb", "dwt", "t", "ct", "ozt", "pcs".

Once the unit has been selected, the selected unit will be displayed to the weighing value.

### 3. Start weighing

#### If you do not use a container for weighing,

Verify the reading is "0". If not, Wait for the stability indicator to be displayed press [ZERO] to display "0".

Place objects on the weighing platform to weigh.

When the reading becomes stable, the stable indicator is displayed.

#### If you use a container for weighing,

Place an empty container on the platform.

Wait for the stability indicator to be displayed and press [ZERO].

Place the objects to be weighed in the container.

When the reading becomes stable, the stable indicator is displayed.

## FUNCTION SETTINGS

Enter function setting mode.

Press [ON/OFF] to turn the power off, Press [ZERO] first, then press [ON/OFF], while keeping [ZERO] pressed, the display will show A\_ON or A\_OFF.

1. Selection of auto backlight mode.  
 When the balance enter function setting menu. Press [UNIT] key, the display will show L\_ON or L\_OFF, press [ZERO], selection display L\_ON, this means auto backlight function active, press [ZERO] again, the display will show L\_OFF, this means auto backlight function inactive, i.e. shut off backlight function.
2. Selection of auto shut off mode.  
 When the balance enter function setting menu. Press [UNIT] key, the display will show A\_ON or A\_OFF, press [ZERO], selection display A\_ON, this means auto shut off function active. Press [ZERO] again, the display will show A\_OFF, this means auto shut off function inactive.
3. Return to weighing mode.  
 Press [ON/OFF] to turn the power off, press [ON/OFF] again to turn on the power and the scale return to the weighing mode.

## Counting procedures

1. Press [ON/OFF] to turn on the scale.  
 Wait for "0" to appear on the display.
2. Start the Count Procedure  
 If necessary, Wait for the stability indicator to be displayed press [ZERO] key to set the display to "0".
3. Place a given number of samples of an item on the pan (the Sample Size should be either 10, 20, 50 or 100 pieces). The weight of these samples will show on the display.
4. Press the [UNIT] key several times to put the scale in PCS mode.
5. Select the sample size (the same as you chose above) by pressing the [PCS] key. (press it as many times as necessary to put it in the correct sample size ,the sample size is the same as in step three =10, 20, 50 or 100.
6. Press the [UNIT] key, the display will show "selected pcs", then the scale will recall the sample size you selected and show the starting sample size on the display (you can now remove the samples if you want to return the scale to 0)

7. Place the items that you want to count onto the tray and the total number of items will show on the display.

8. Press the [UNIT] key to exit the counting function and return to normal weighing or you can press ON/OFF to turn the scale off to exit.

NOTE: the weight of unit sample > 10e.

## CALIBRATION

### When to calibrate

Calibration may be required when it is initially installed, if the scale/balance is moved to a substantial distance.

This is necessary because the weight of a mass in one location is not necessarily the same in another location. Also, with time and use, mechanical deviations may occur.

### How to calibrate

1. Before entering calibration mode, press [ON/OFF] to turn the power on for 1 minute.
2. select the calibration unit  
 Press [ON/OFF] to turn the power off. Press and hold [UNIT] and [ZERO] first ,then press[ON/OFF],the display will show "C=xxx",the ▼ sign indicate the calibration unit .Press [PCS] key, the ▼ sign indicate the different calibration unit (eg: g, oz or lb) .Now the calibration unit is selected.
3. Enter calibration mode  
 Press [ON/OFF] to turn the power off. Press [UNIT] first, then Press [ON/OFF], while keeping pressing [UNIT], the display will show the A/D value.
4. Calibration by the weight  
 Wait for the stable indicator to be displayed, Press [UNIT],after 2 seconds the display will show "00SAVE", then the display will show the calibration weight.
5. Place the calibration weight on platform. After the stable indicator is displayed, then press [UNIT], after 2 seconds,the display will show "00SAVE" then return to A/D value , now calibration is finished.
6. Press [ON/OFF], turn off the power, press [ON/OFF] turn on the power again, place the calibration weight on the platform to make sure whether weighing is correct, if not, repeat steps 3-6.
7. Return to weighing mode  
 Press [ON/OFF] to turn the power off. Press [ON/OFF] again to turn on the power and the scale/balance return to the weighing mode.